



BRUDER LAPAROSCOPY

LAPAROSCOPIC NEEDLE HOLDERS & CLIP APPLYING FORCEPS

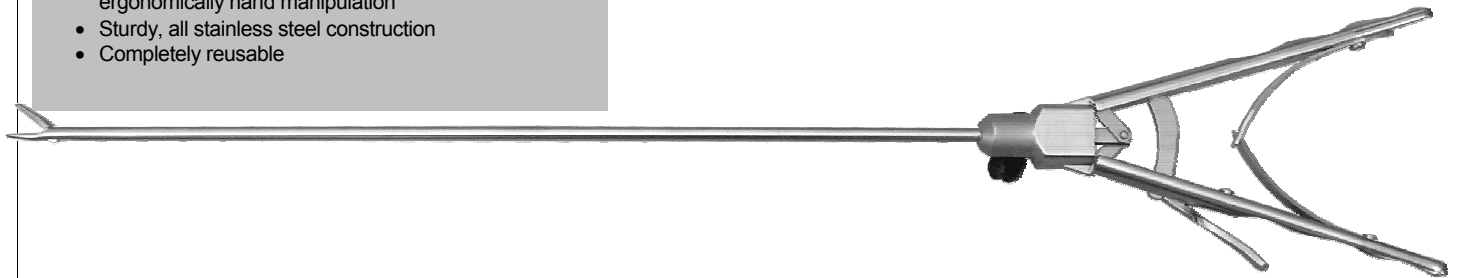
LAPAROSCOPIC NEEDLE HOLDERS, our precision engineered needle holders, give the feeling of “open surgical procedure.” They are designed with handles that minimize hand fatigue, maximize holding power and allow a natural rotation of the wrist.






CLIP APPLIERS are 5mm diameter and 10mm diameter reusable, single-action clip applicators for laparoscopic surgery procedures.

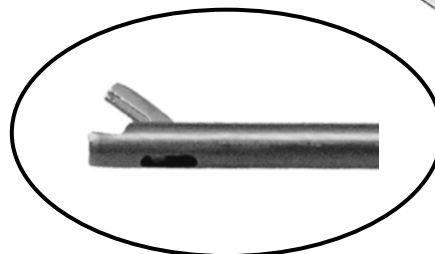
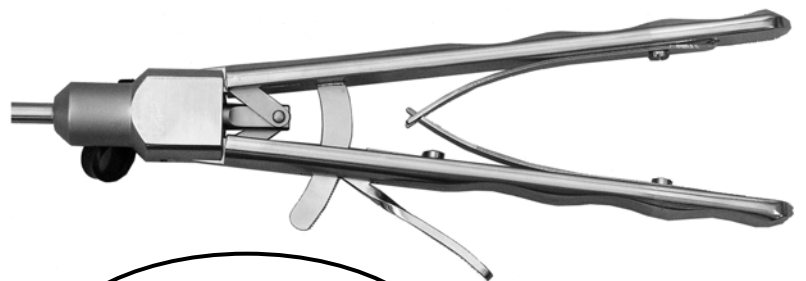
TUNGSTEN CARBIDE NEEDLE HOLDER WITH ERGONOMIC STRAIGHT AXIAL HANDLE

Features:

- Our most popular model
- Features maximum holding power, quick, easy finger release ratchet
- The handle gives the user the most precise, ergonomically hand manipulation
- Sturdy, all stainless steel construction
- Completely reusable



TIP DESIGN	SHAFT DIA.	33 CM SHAFT	45 CM SHAFT
 STRAIGHT 8 MM TC TIP	5 MM DIA.	LIST NO. ARO50560	LIST NO. ARO51560
 STRAIGHT 10 MM TC TIP	5 MM DIA.	LIST NO. ARO50561	LIST NO. ARO51561
 CURVED LEFT TC TIP	5 MM DIA.	LIST NO. ARO50562	LIST NO. ARO51562
 CURVED RIGHT TC TIP	5 MM DIA.	LIST NO. ARO50563	LIST NO. ARO51563
 SELF- RIGHTING NEEDLE TIP	5 MM DIA.	LIST NO. ARO50564	LIST NO. ARO51564






Self-rightening tip available

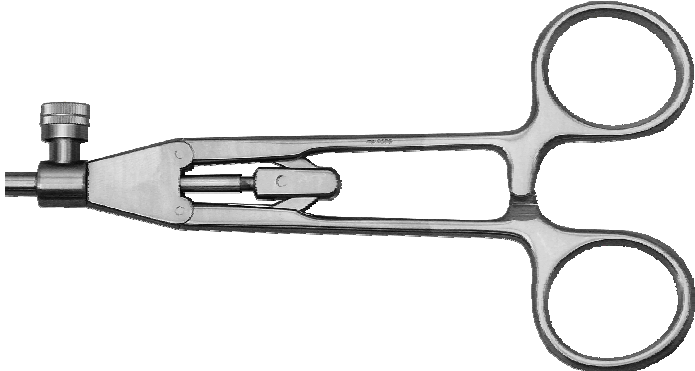
TUNGSTEN CARBIDE NEEDLE HOLDER WITH ERGONOMIC STRAIGHT RING AXIAL HANDLE

Features:

- Ergonomic ring axial handle for the most delicate, precise control
- Solid quick release lock
- Sturdy stainless steel construction
- Completely reusable
- On of our most cost-effective instruments

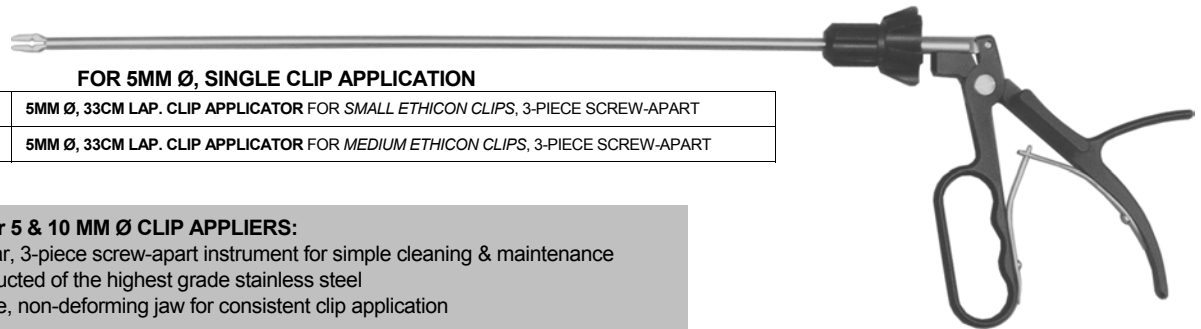


TIP DESIGN	SHAFT DIA.	33 CM SHAFT	45 CM SHAFT
 STRAIGHT 8 MM TC TIP	5 MM DIA.	LIST NO. ARO50545	LIST NO. ARO51545
 CURVED LEFT TC TIP	5 MM DIA.	LIST NO. ARO50546	LIST NO. ARO51546
 CURVED RIGHT TC TIP	5 MM DIA.	LIST NO. ARO50547	LIST NO. ARO51547



LAPAROSCOPIC CLIP APPLIERS

The quality instrument for precise, true minimal noninvasive single titanium clip application.

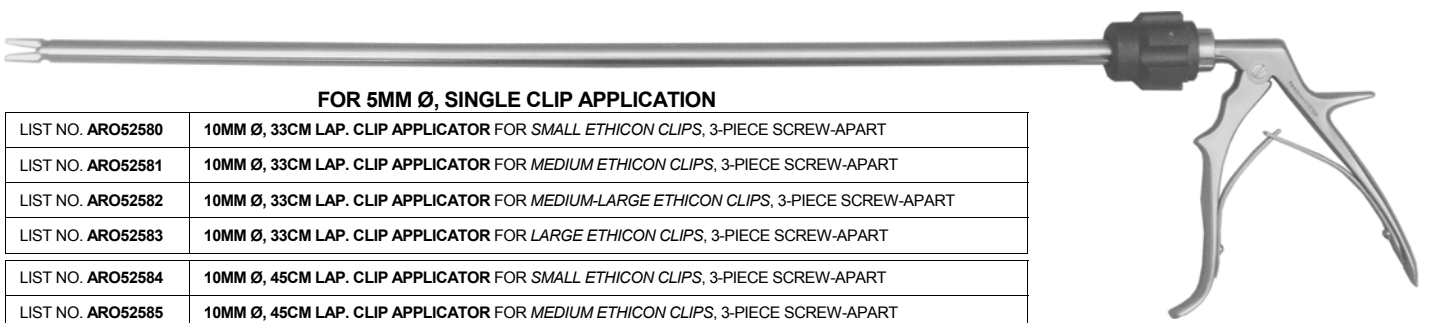


FOR 5MM Ø, SINGLE CLIP APPLICATION

LIST NO. ARO52570A	5MM Ø, 33CM LAP. CLIP APPLICATOR FOR SMALL ETHICON CLIPS, 3-PIECE SCREW-APART
LIST NO. ARO52571A	5MM Ø, 33CM LAP. CLIP APPLICATOR FOR MEDIUM ETHICON CLIPS, 3-PIECE SCREW-APART

Features for 5 & 10 MM Ø CLIP APPLIERS:

- Modular, 3-piece screw-apart instrument for simple cleaning & maintenance
- Constructed of the highest grade stainless steel
- Durable, non-deforming jaw for consistent clip application



FOR 10MM Ø, SINGLE CLIP APPLICATION

LIST NO. ARO52580	10MM Ø, 33CM LAP. CLIP APPLICATOR FOR SMALL ETHICON CLIPS, 3-PIECE SCREW-APART
LIST NO. ARO52581	10MM Ø, 33CM LAP. CLIP APPLICATOR FOR MEDIUM ETHICON CLIPS, 3-PIECE SCREW-APART
LIST NO. ARO52582	10MM Ø, 33CM LAP. CLIP APPLICATOR FOR MEDIUM-LARGE ETHICON CLIPS, 3-PIECE SCREW-APART
LIST NO. ARO52583	10MM Ø, 33CM LAP. CLIP APPLICATOR FOR LARGE ETHICON CLIPS, 3-PIECE SCREW-APART
LIST NO. ARO52584	10MM Ø, 45CM LAP. CLIP APPLICATOR FOR SMALL ETHICON CLIPS, 3-PIECE SCREW-APART
LIST NO. ARO52585	10MM Ø, 45CM LAP. CLIP APPLICATOR FOR MEDIUM ETHICON CLIPS, 3-PIECE SCREW-APART
LIST NO. ARO52586	10MM Ø, 45CM LAP. CLIP APPLICATOR FOR MEDIUM-LARGE ETHICON CLIPS, 3-PIECE SCREW-APART
LIST NO. ARO52587	10MM Ø, 45CM LAP. CLIP APPLICATOR FOR LARGE ETHICON CLIPS, 3-PIECE SCREW-APART
LIST NO. ARO51136	10MM Ø, 33CM LAP. CLIP APPLICATOR FOR MEDIUM PILLING (WECK) CLIPS, 3-PIECE SCREW-APART
LIST NO. ARO51137	10MM Ø, 33CM LAP. CLIP APPLICATOR FOR MEDIUM-LARGE PILLING (WECK) CLIPS, 3-PIECE SCREW-APART

Save and buy direct from the manufacturer.
We design, manufacture & sell the tools the surgeons use.

BRUDER specializes in the design and manufacture of new and innovative instruments, the repair of all competitive products and a fast turn-around time on repairs.



ARROW MEDICAL SUPPLY INC
Telephone Number: (847) 367-7771
Web Site: www.arrowmedical.com

28085 N Ashley Circle Bldg 105

Libertyville IL 600486
Fax Number: (847)367-7751
Email: info@arrowmedical.com